

TTL Gates

Please do the following exercises individually.

TTL Gates

Please find out which tasks the following TTL gates perform.

7446:

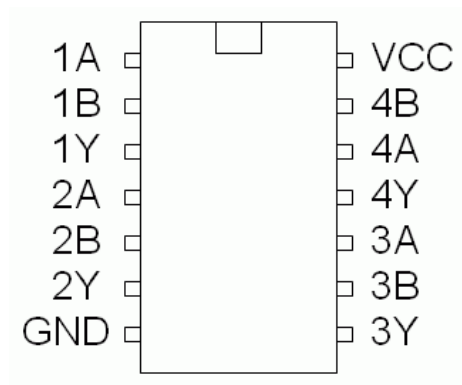
7486:

7474:

74164:

The 7432 TTL Logic Gate

Please draw how the 7432 (Quadruple 2-Input Positive-OR Gates) is build up.



Working with datasheets

Please download the datasheet of the 74HC(t)86 from www.nxp.com. Find out its labeling, describe what it does and draw its pin-out.

TTL Gates

Please do the following exercises individually.

TTL Gates

Please find out which tasks the following TTL gates perform.

7446: BCD -> 7-Segment Decoder

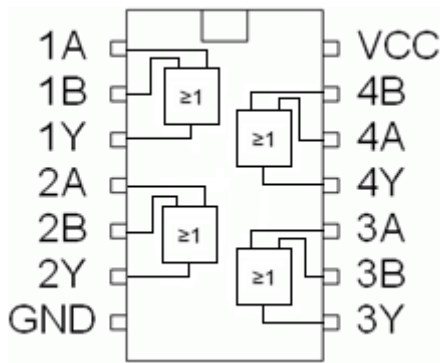
7486: Quadruple 2 Input XOR

7474: Dual D flip-flop with preset & clear

74164: 8 Bit Serial Shift Register

The 7432 TTL Logic Gate

Please draw how the 7432 (Quadruple 2-Input Positive-OR Gates) is build up.



Working with datasheets

Please download the datasheet of the 74HC(t)86 from www.nxp.com. Find out its labeling, describe what it does and draw its pin-out.

According to the datasheet it is a *Quad 2-input EXCLUSIVE-OR gate*. It is similar to the 7432 gate and has four XORs with two input lines.

