

Operational Amplifiers

Please do the following assignment by simulation.

Assignment

Please build the test setup described below and analyze how the measured signal behave depending on a change of threshold voltage. Interpret your observations and make a sketch of the signals at two different thresholds.

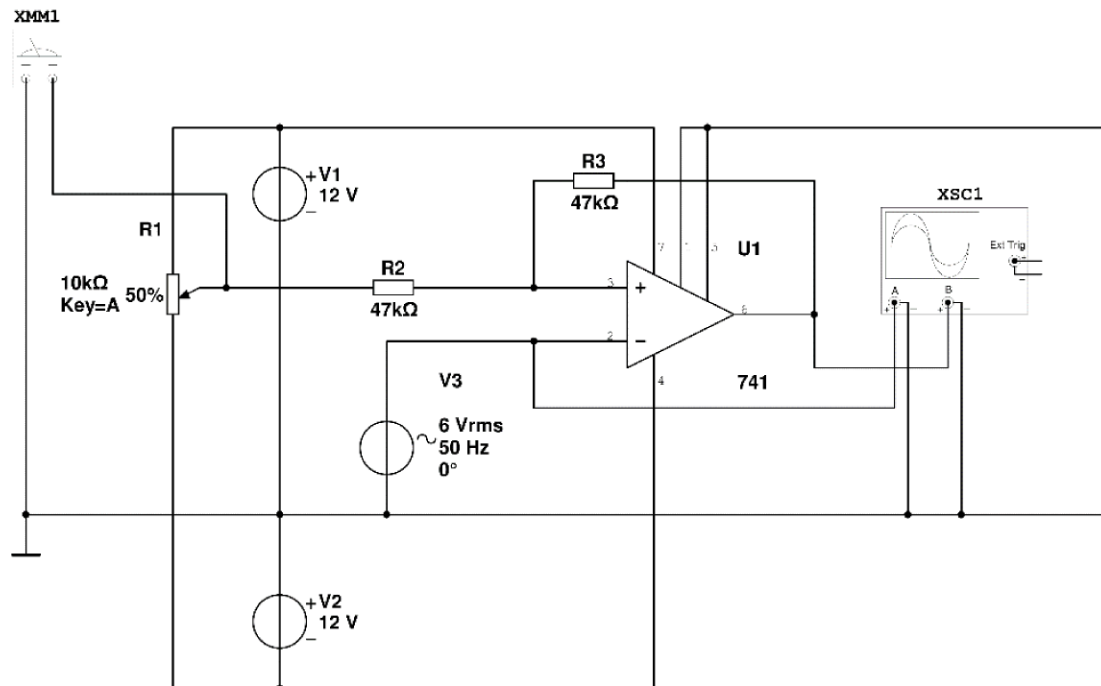
Components

To do this assignment you need:

- 1 Oscilloscope
- 1 Multimeter
- 1 Transformer
- 1 Benchtop Power Supply
- 1 Breadboard
- 1 LM741 Operational Amplifier
- 1 10 k Ω Potentiometer
- 2 47 k Ω Resistors
- 2 Probe Heads
- Miscellaneous Cables

Circuit

The following circuit is used for the simulation.

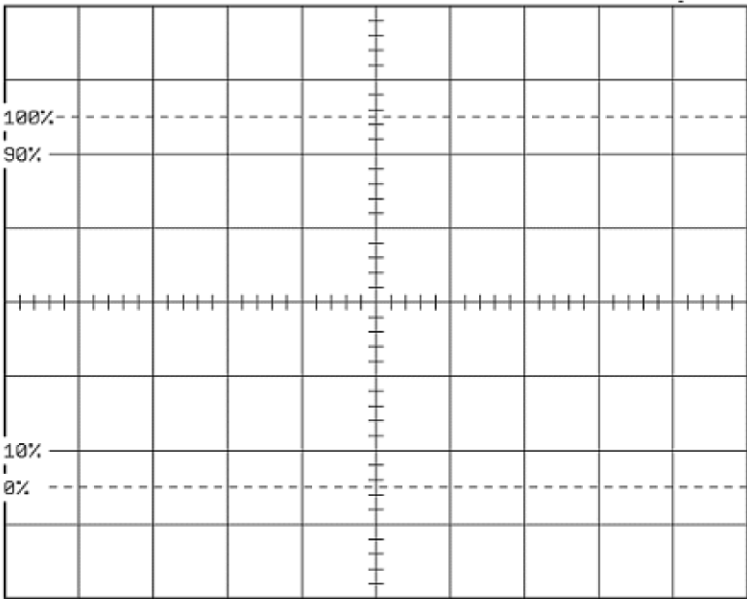


Results

Please note your observations and your interpretation here:

Please sketch the two signals here.

Threshold: _____ V:



Threshold: _____ V:

